



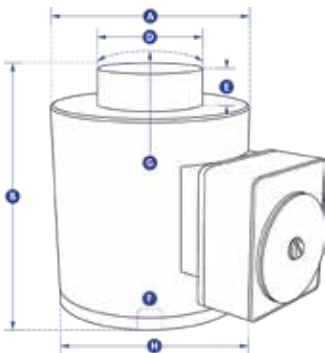
Compression Load Cells

Wireless Compression Load Cells



- Proprietary 2.4GHz wireless
- Industry leading wireless range of 700m (2300ft)
- Connects to SW-MWLC, WCOGS & SW-PTP software
- Error free data transmission
- Environmentally sealed to IP67/NEMA 6
- No cable assemblies required
- Unrivalled accuracy
- Battery life of 1200hrs

Product Code	H340510005	H340510010	H340510025	H340510050	H340510100	H340510150	H340510300	H340510500
Capacity (t)	5.0	10.0	25.0	50.0	100.0	150.0	300.0	500.0
Resolution (te)	0.001	0.002	0.005	0.01	0.05	0.05	0.1	0.2
Dimension A (mm)	102	102	102	102	152	152	185	185
Dimension B (mm)	127	127	127	127	184	184	300	300
Dimension D (mm)	59	59	59	59	80	80	155	155
Dimension E (mm)	13	13	13	13	26	26	27.5	27.5
Dimension F (mm)	M18 x 2.5	M18 x 2.5	M18 x 2.5	M20 x 2.5	M20 x 2.5	M20 x 2.5	M20 x 2.5	M20 x 2.5
Dimension G (mm)	152	152	152	152	432	432	432	432
Dimension H (mm)	158	158	158	158	208	208	241	241
Weight (kg)	6.2	6.2	6.2	6.2	15.5	15.5	65.0	65.0
Safety Factor	3:1							
Battery Type	Load cell 4 x AA Alkaline							
Battery Life	Load cell 1,200 hours continuous							
Operating Temp	-10°C to +50°C / 14°F to 122°F							
Accuracy	±0.3% of applied load							
Frequency	2.4GHz							
System Range	700 metres - 2300 feet							
Data Rate	3Hz (configurable to 200Hz)							
Protection	IP67 / NEMA 6							



JACKING

